

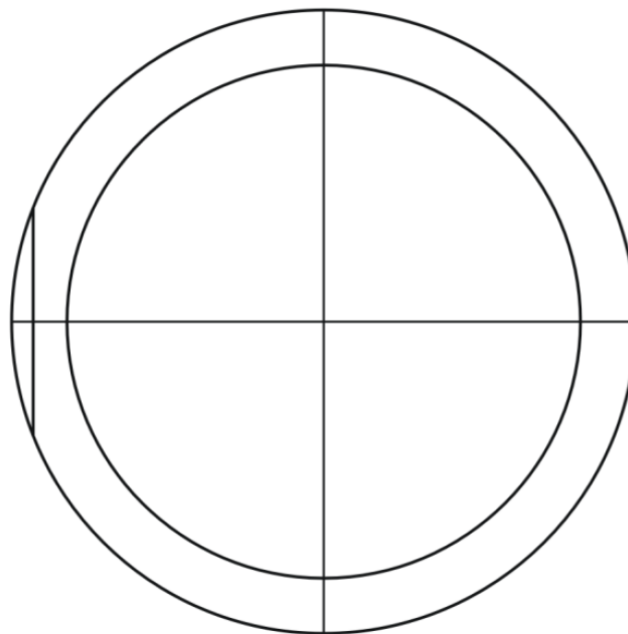
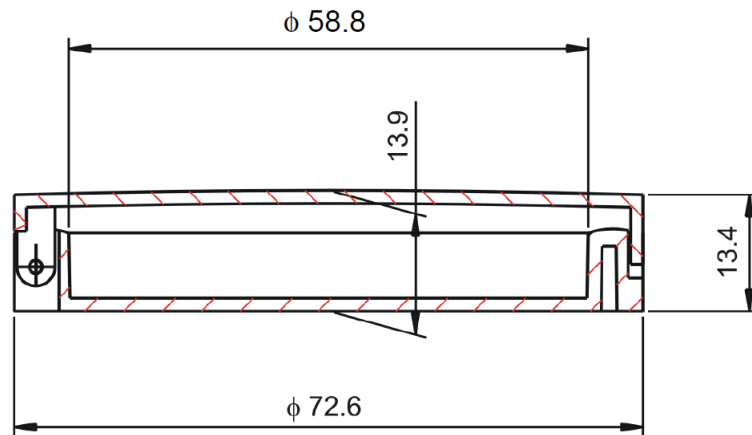
# POWDER CASE diameter 58,8mm #22 with mirror QUALITY AND MATERIAL SPECIFICATION

## Raw materials:

Bottom lid – PS

Top lid – PS

Tolerance:  $\pm 0,2$



Production is held in Poland. Items are manufactured according to Conformity declaration with 1223/2009 regulation and meet satisfy of Heavy metal content declaration rules.