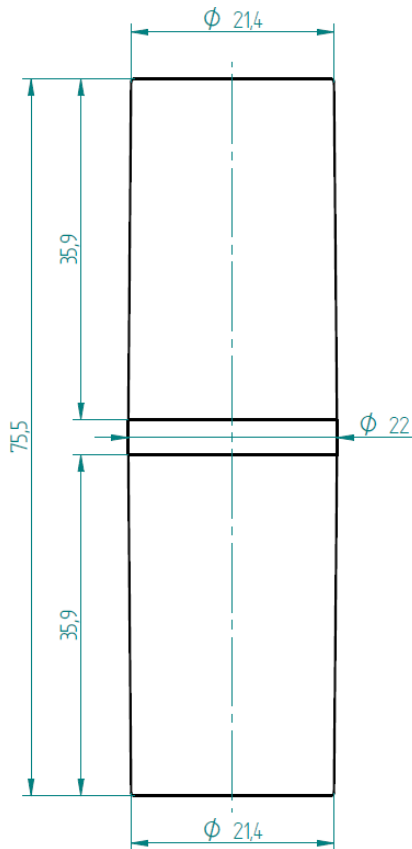


# LIPSTICK CASE #33 DECO

diameter 12,7mm



## Raw materials:

Top cap - ABS

Bottom cap - ABS

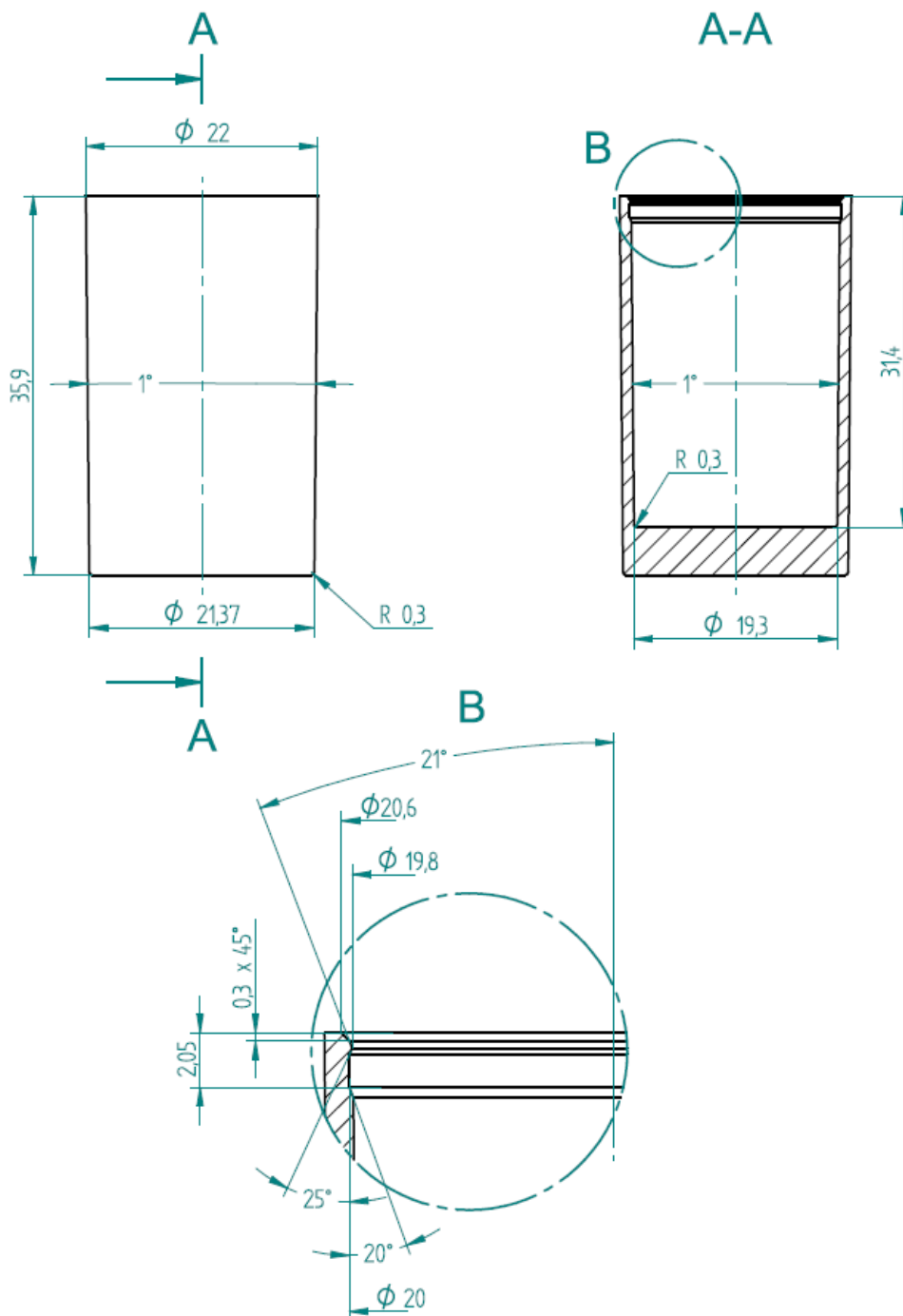
Inner part with ring – ABS

Internal mechanism - POM

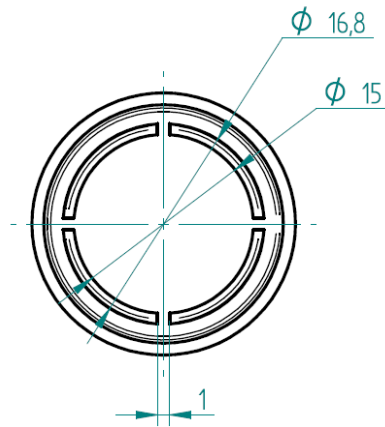
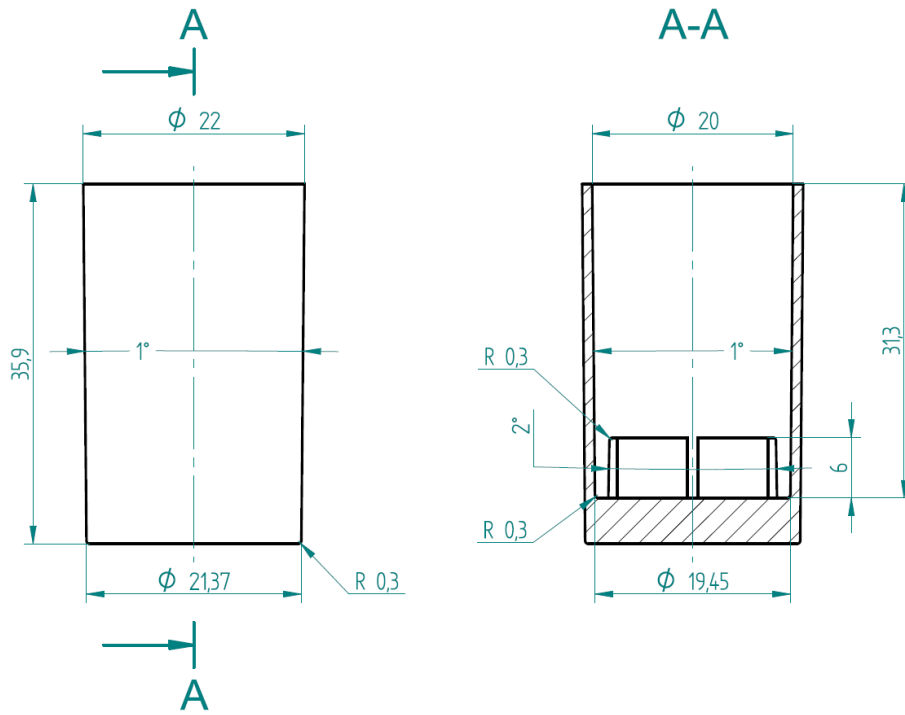
Cup – PS

Sleeve - PS

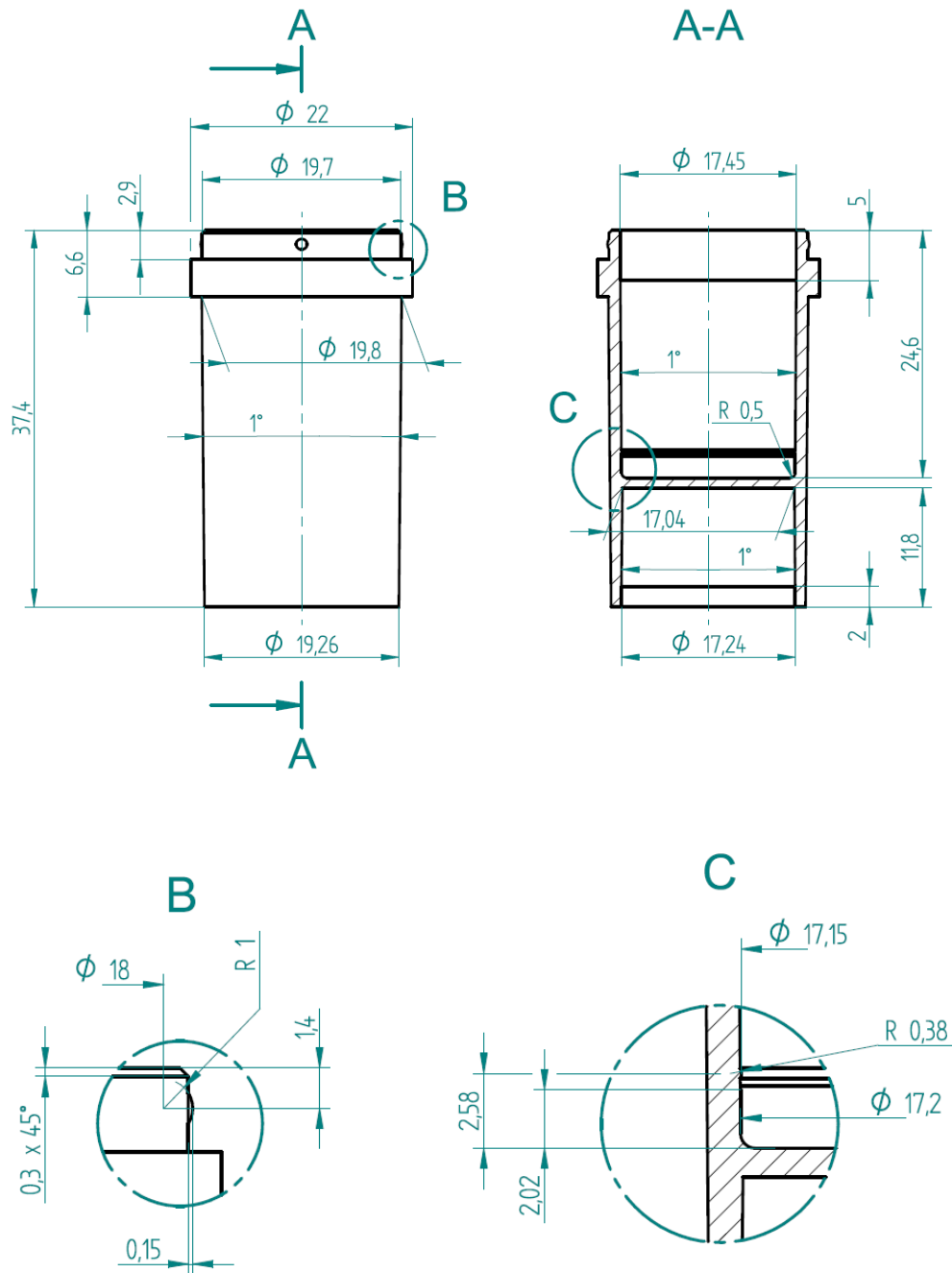
# Top cap



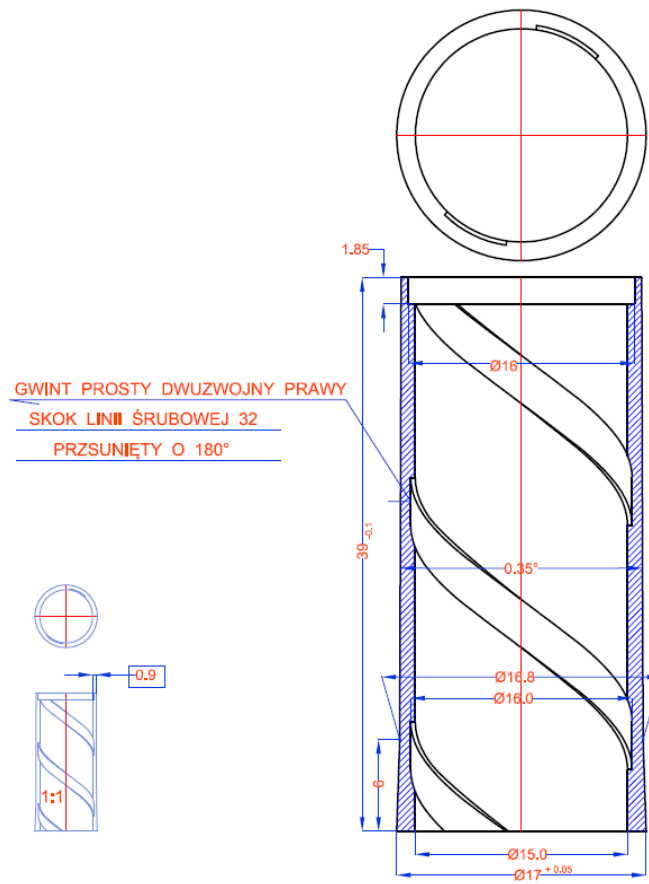
# Bottom cap



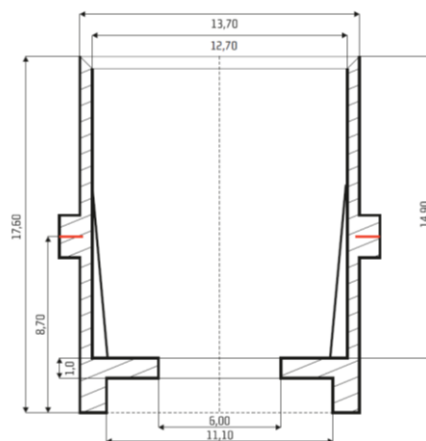
# Inner part with ring



# Sleeve



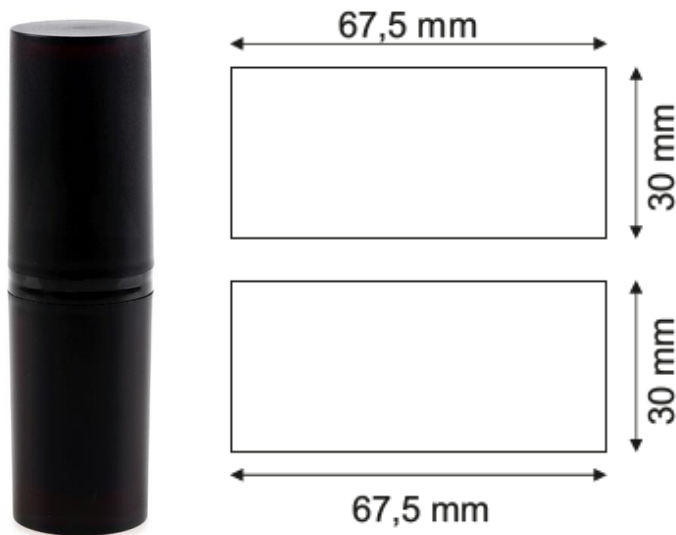
# Cup



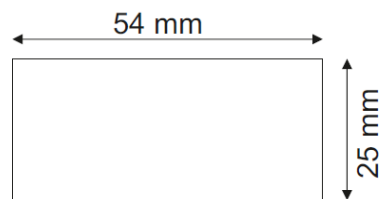
# PRINTING AREA #33 DECO

shiny or matt finish for extrnal parts in standard

external elements (cap + bottom)



internal element (sleeve)



Production is held in Poland. Items are manufactured according to Conformity declaration with 1223/2009 regulation and meet satisfy of Heavy metal content declaration rules.