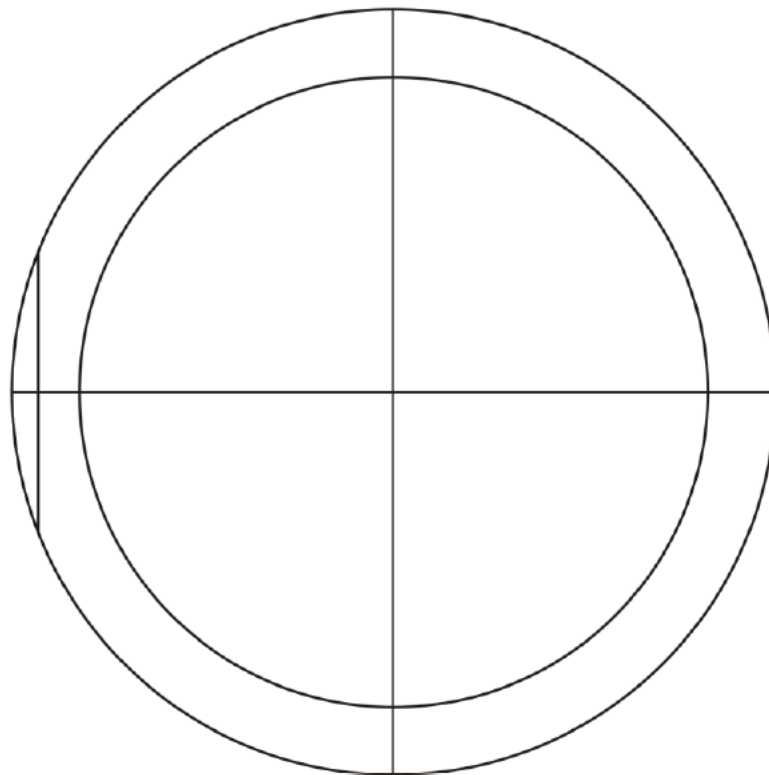
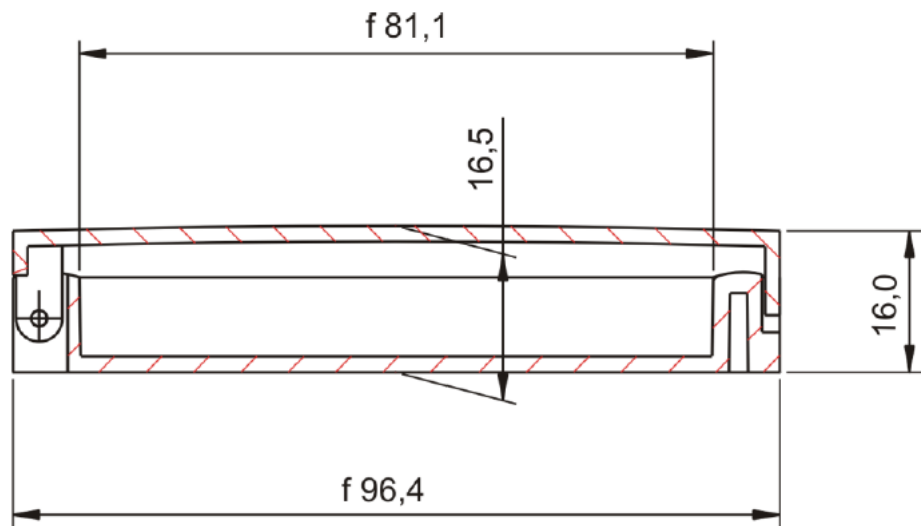


---

BODY POWDER CASE #48  
diam. 81mm





Raw material: PS  
PRINTING AREA – top lid – circle diameter: 75mm