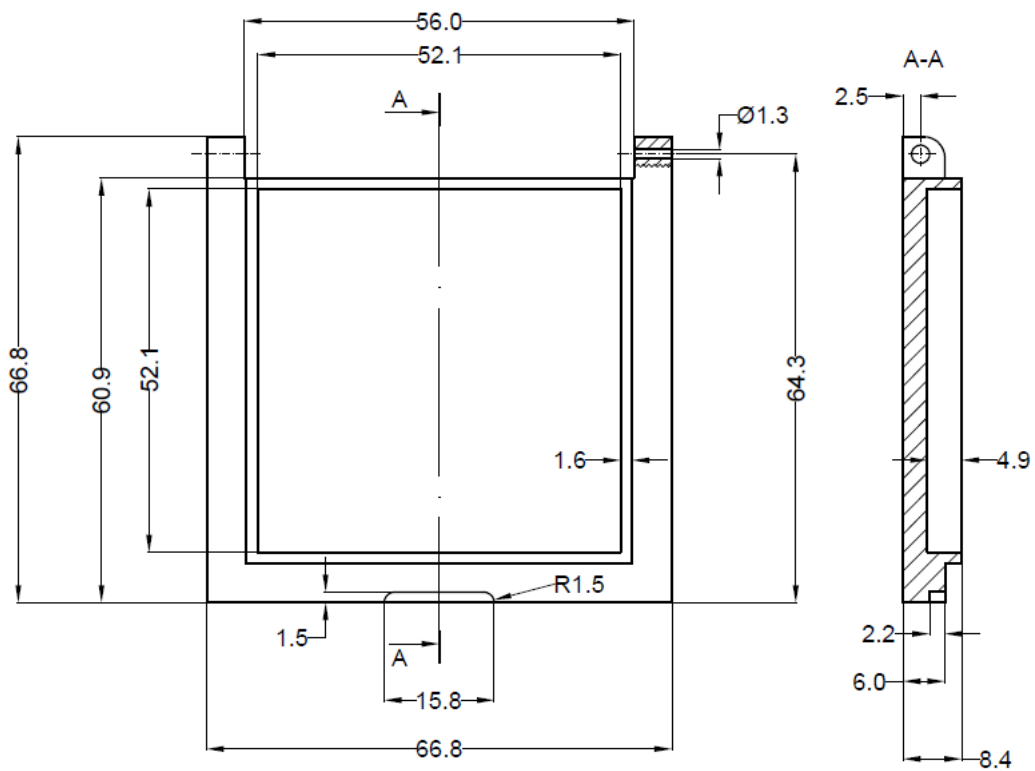
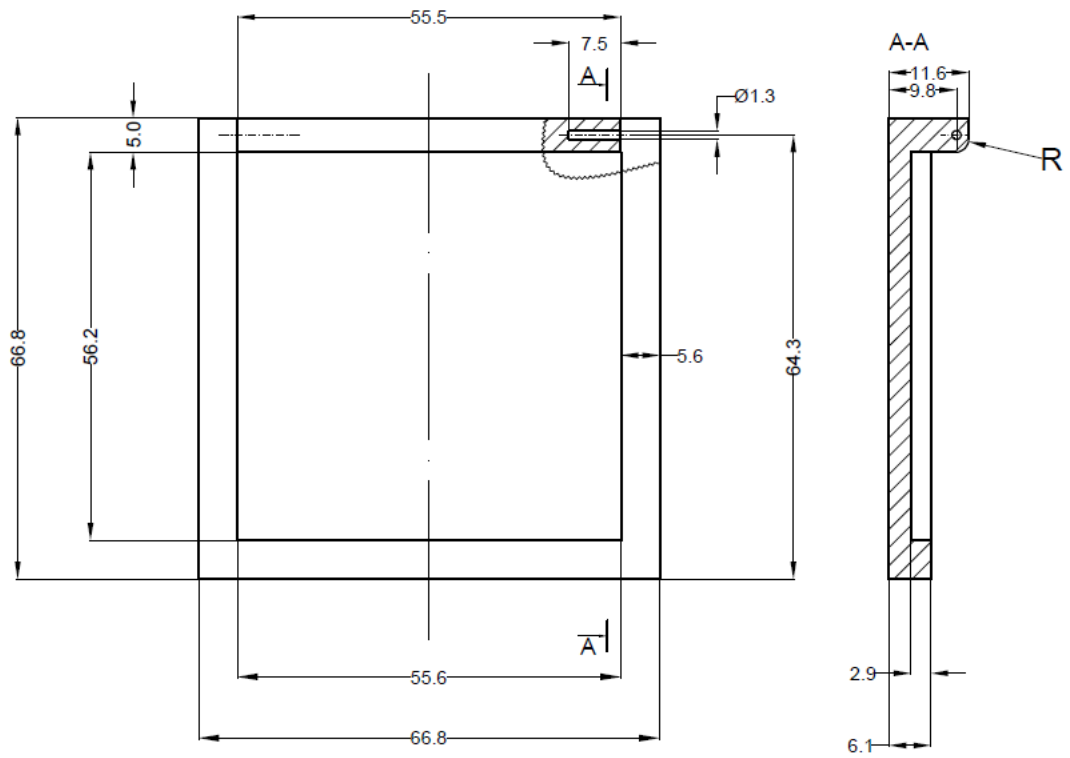


# POWDER CASE 52X52mm #9



Base



Top lid

Raw material: PS or SAN  
Tolerance:  $\pm 2\%$